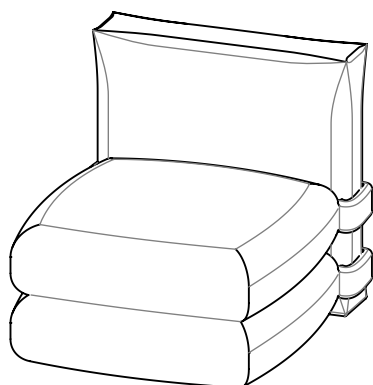
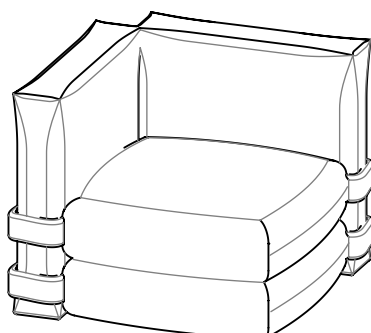


**COMPONENTS**

1. CENTRAL MODULE



2. CORNER MODULE



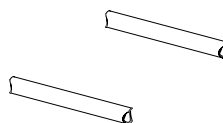
**ACCESSORIES**

3. CONNECTION SET

3.1 DIN 7380 M10X35 (x4)

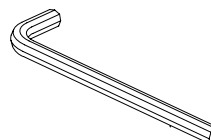


3.2 connection tubes (x2)



**TOOL SET REQUIRED**

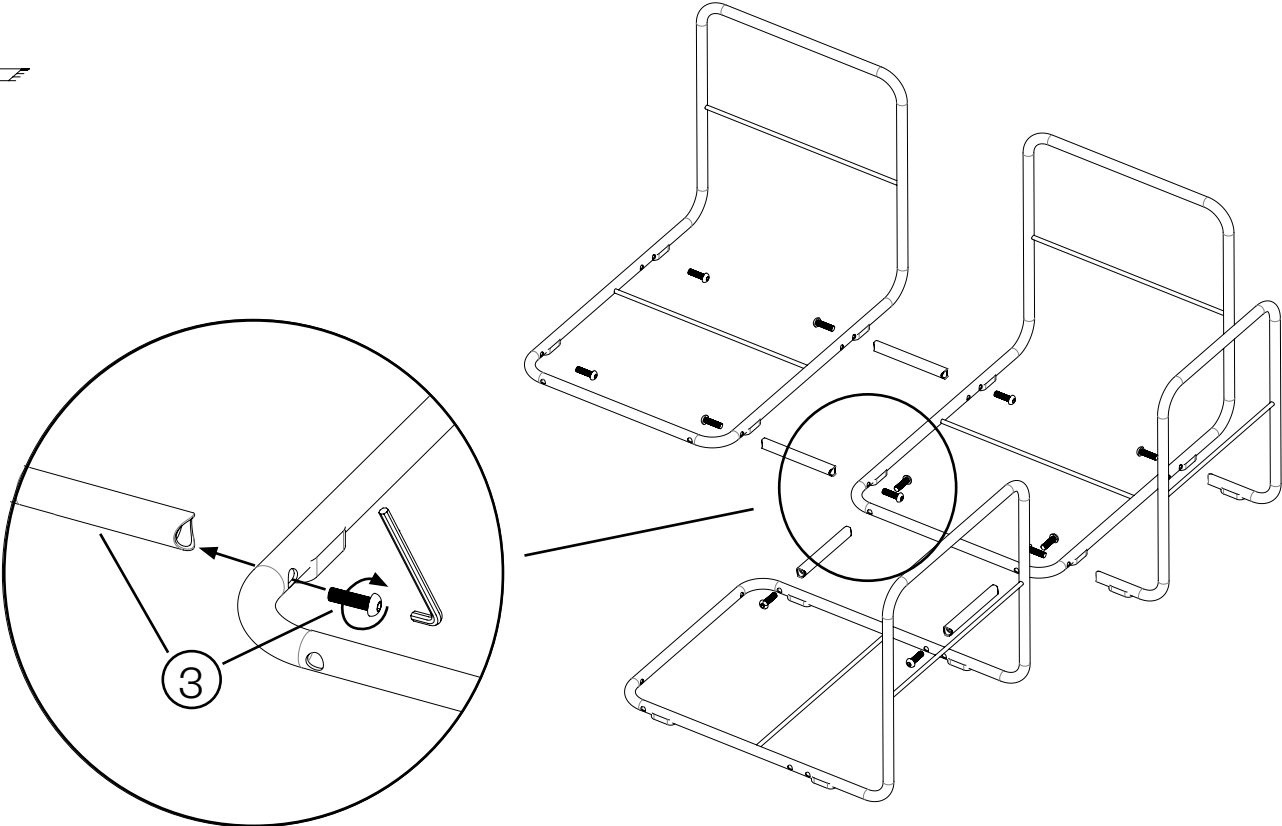
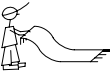
ALLEN KEY



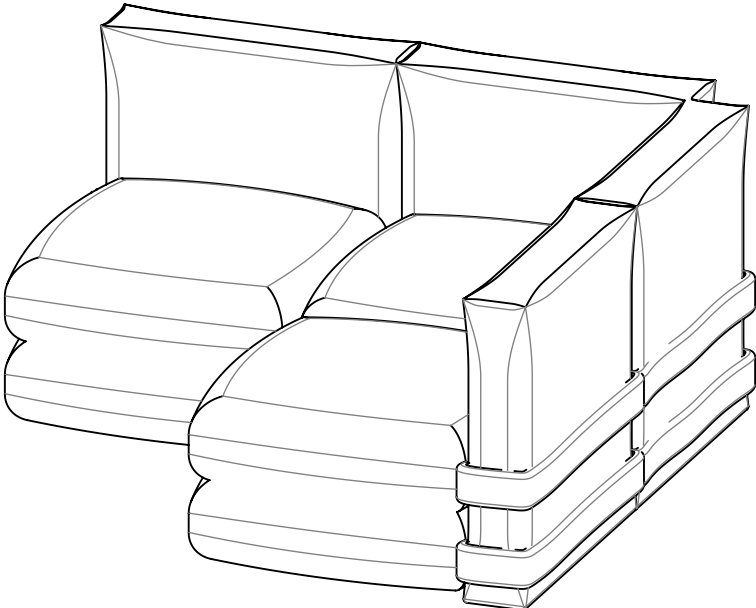
# PILLOW SOFA L SHAPE CONNECTION

MULLER VAN SEVEREN  
2024

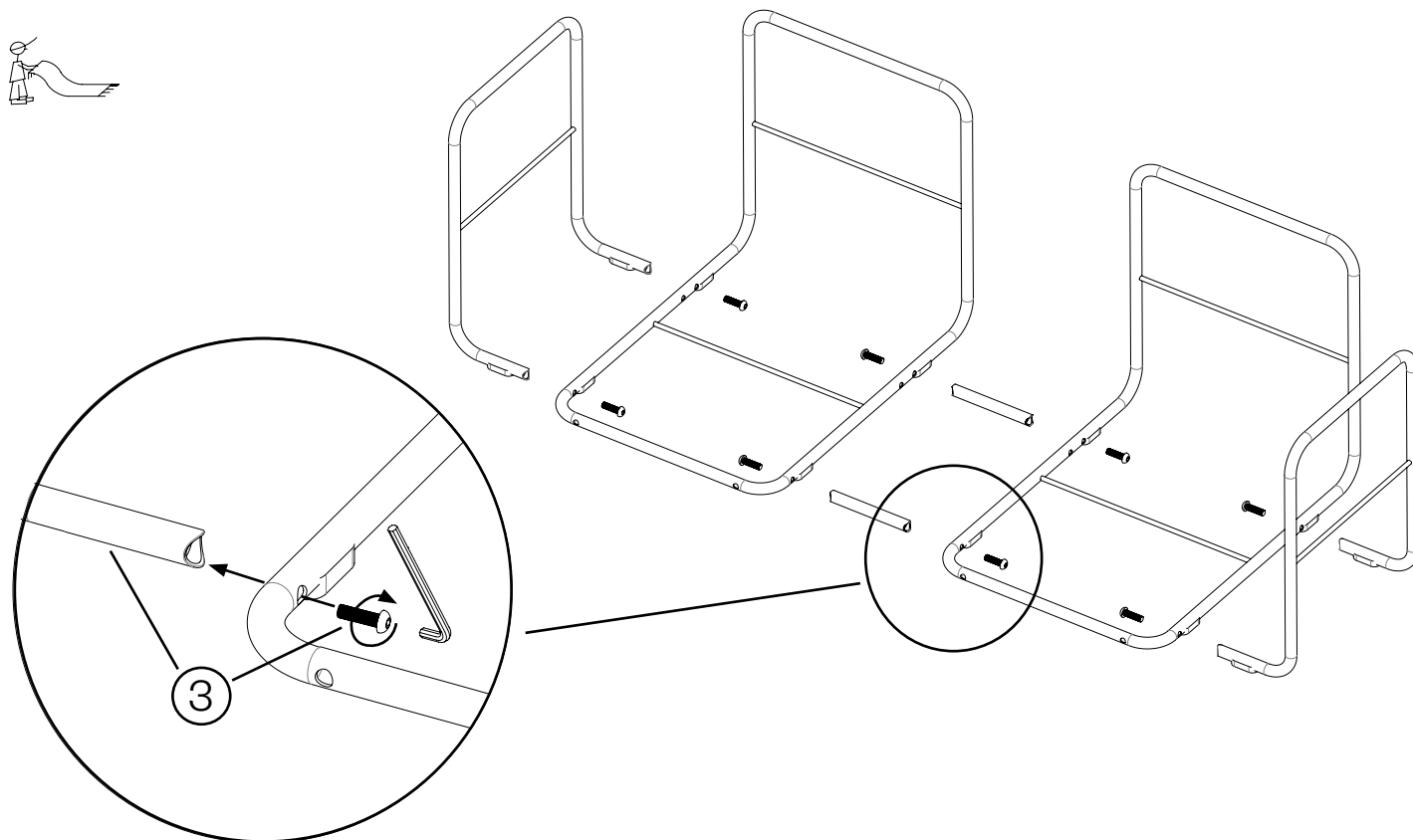
1. Connect all metal structures with the connection set accessories and mount the lateral structures next to the main metal structure



2. Cover the metal structure with the different pillows (see CENTRAL MODULE and CORNER MODULE INSTRUCTIONS)



1. Connect all metal structures with the connection set accessories and mount the lateral structures next to the main metal structure



2. Cover the metal structure with the different pillows (see CENTRAL MODULE and CORNER MODULE INSTRUCTIONS)

